

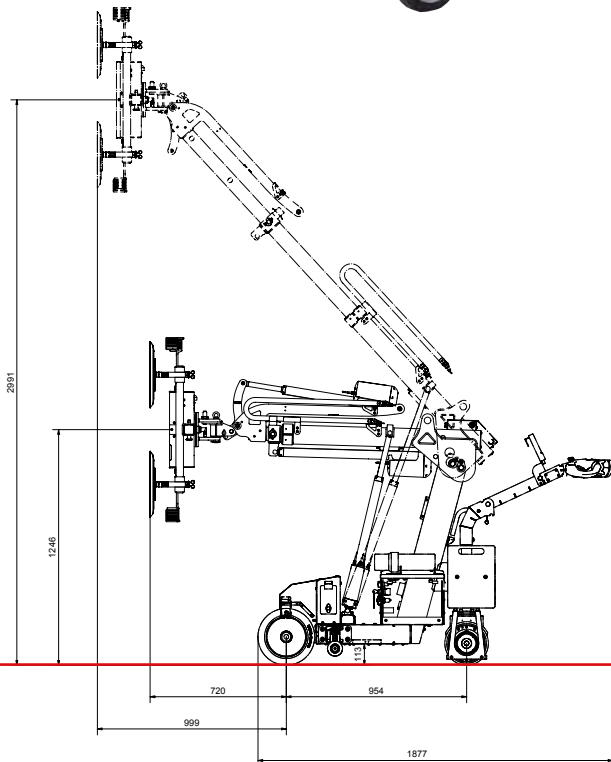
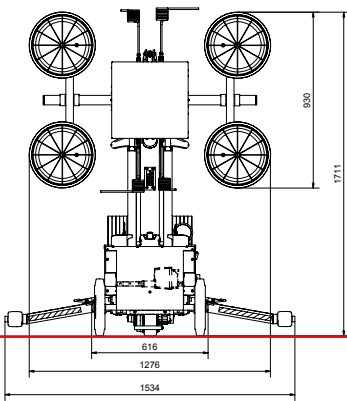
Glassworker GW295

Lifting device | Uplifter



Load capacity	295 kg
Working height max.	2,991 m Center vacuum cross
Indoor	
Outdoor suitable	
Highlifter	optional
Scope forward*	1,13 - 1,82 m
Dead weight*	492 kg
Length*	1,877 m
Wide*	0,616 m
Operating time	up to 8 hours
Accessories	white non-marking solid rubber tires, pneumatic tires, load hook, vacuum unit from GW 425, rotating crossbar and LED work light

* depending on equipment



GW295 Standard

GW295 Highlifter

